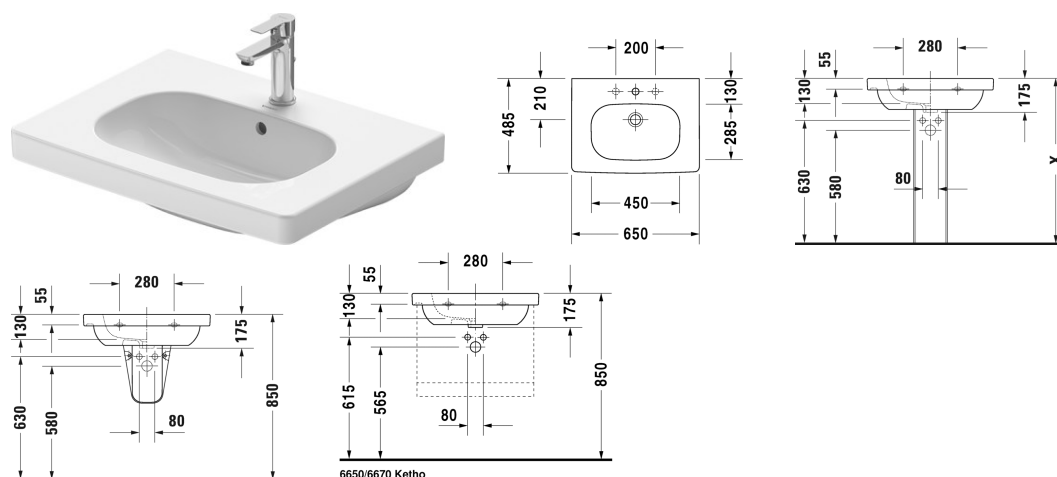


D-Code Washbasin, furniture washbasin # 03426500002

| < 650 mm > |



Washbasin, furniture washbasin	Dimension	Weight	Order number
with overflow, with tap platform, underneath glazed, 650 mm			
Colors			
00 White Alpin			
Variant			
●	650 x 485 mm	20.100 kilogram	03426500002
Accessory			
Towel rail square tube 14 mm, for washbasin # 034265	604 mm	0.400 kilogram	003032
Space saving siphon	1 1/4" mm	0.400 kilogram	005076
Suitable products			
Siphon cover for # 231065, 231060, 231055, 034265, 034285, 034210, 034812,			085718
Pedestal for # 231065, 231060, 231055, 034265, 034285, 034210, 034812,			086327
Vanity unit wall-mounted 1 pull-out compartment, for D-Code # 034265, 600 x 455 mm	600 x 455 mm		KT6670
Vanity unit wall-mounted 1 pull-out compartment, for D-Code # 034265, 600 x 453 mm	600 x 453 mm		DS6383
Vanity unit wall-mounted 2 drawers, upper drawer including cut-out for siphon and siphon cover, for D-Code # 034265, 600 x 453 mm	600 x 453 mm		DS6483
Vanity unit wall-mounted 1 pull-out compartment, compartment consists of glass dividers and 2 boxes (small/large), for D-Code # 034265, 600 x 458 mm	600 x 458 mm		XL6051

D-Code Washbasin, furniture washbasin # 03426500002

|< 650 mm >|

Vanity unit wall-mounted 1 pull-out compartment, for D-Code # 034265, 620 x 469 mm	620 x 469 mm	BR4045
Vanity unit wall-mounted 2 drawers, upper drawer including cut-out for siphon and siphon cover, for D-Code # 034265, 620 x 469 mm	620 x 469 mm	BR4145
Vanity unit floor-standing 2 pull-out compartments, for D-Code # 034265, 620 x 469 mm	620 x 469 mm	BR4425
Vanity unit wall-mounted 1 pull-out compartment, for D-Code # 034265, 600 x 458 mm	600 x 458 mm	XB6070
Vanity unit wall-mounted 2 drawers, upper drawer including cut-out for siphon and siphon cover, for D-Code # 034265, 600 x 458 mm	600 x 458 mm	XB6189
Vanity unit wall-mounted 2 drawers, upper drawer including cut-out for siphon and siphon cover, for D-Code # 034265, 600 x 455 mm	600 x 455 mm	KT6650

All drawings contain the necessary measurements which are subject to standard tolerances. They are stated in mm and are non-binding. Exact measurements, in particular for customised installation scenarios, can only be taken from the finished piece.